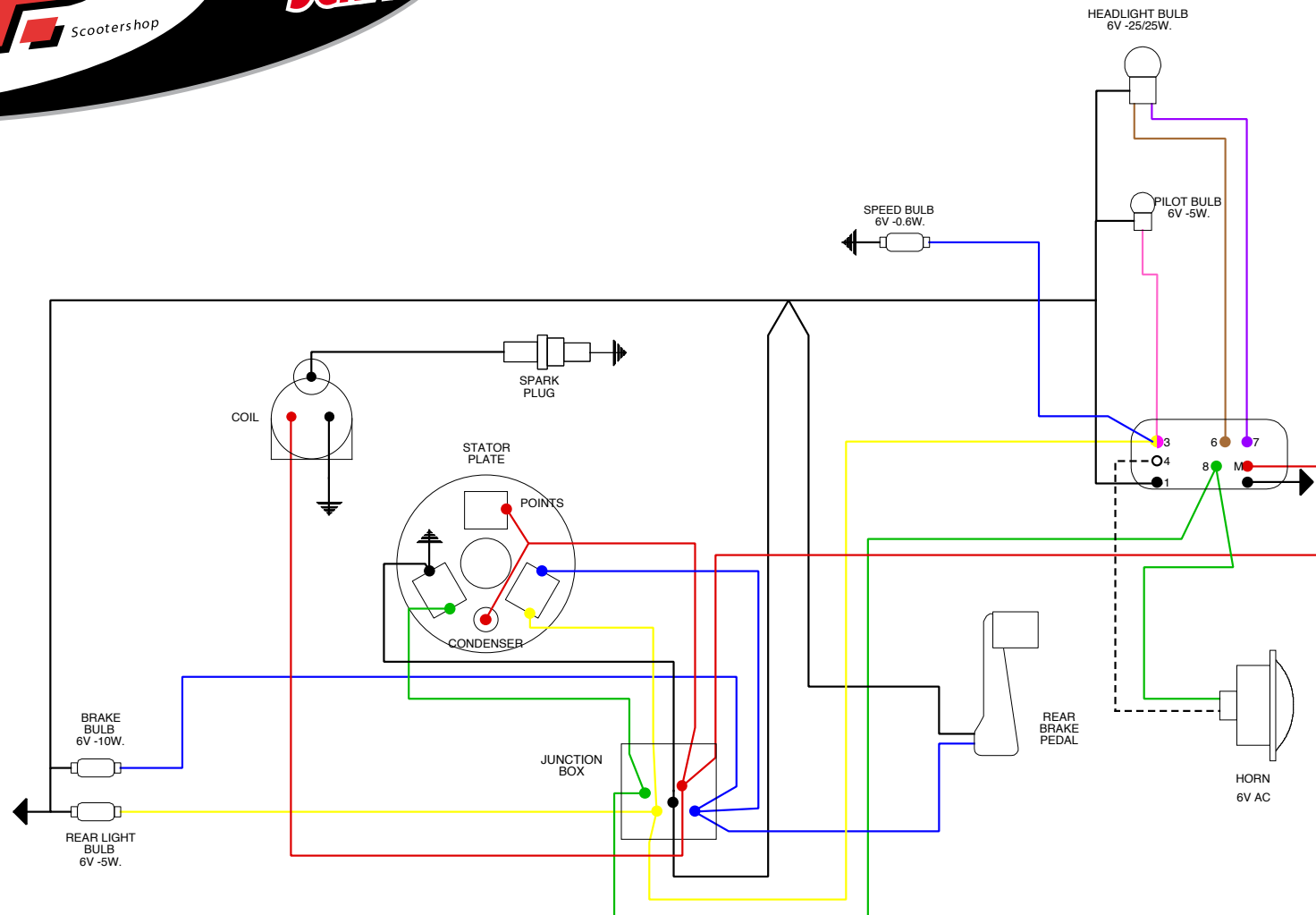




SCHALTPLAN - ELECTRICAL DIAGRAM



scooterhelp.com

----- (WHITE)

VESPA 125 (VMA1T) VESPA 125 Primavera (VMA2T) VESPA 90 Racer (V9SS2T)